

Articulated presentation option for ACMS– ACMS2 sliding shelves



ACMS + AOPRESAR



ACMS2 + AOPRESAR2

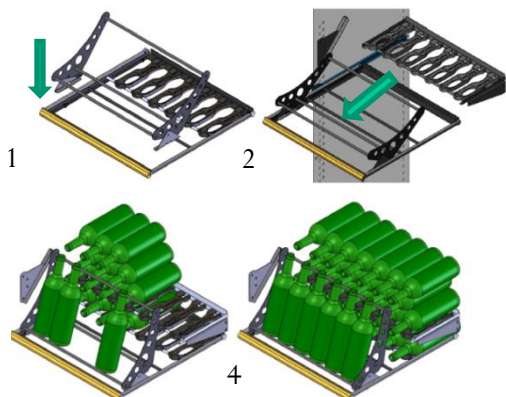
GENERAL FEATURES

	Single kit	Kit + ACMS/ACMS2
Gross weight packaged (kg)*	3,15	
Net weight (kg)*	2,5	5,5
Dimensions H x W x D (mm)	520 x 340 x 160	540 x 540 x 310
Dimensions in pack H x W x D (mm)	560 x 360 x 200	
Materials	Black epoxy covered steel structure	
Delivery	kit (assembly technical manual included)	
Involved ranges	AOPRESAR	PREMIERE, PURE, COLLECTION
	AOPRESAR2	PURE (option), REVELATION

EQUIPMENT

- **Kind of shelf:** - Articulated presentation to be screwed on a ACMS or ACMS2 sliding shelf
 - Storage on 1 row on the ACMS or ACMS2 sliding shelf
 - Storage on 3 rows on a MDS half shelf
- **Capacity :**
 - Total: 32 bottles**
 - Sliding shelf: 6 bottles
 - Storage half-shelf with "Main du Sommelier": 7 + 6 + 7 = 20 bottles
 - Presentation: 6 bottles

ASSEMBLY



For bottles with an antique shape (ex: Ruinart) we suggest you move the bottle support, like on the picture, to insure a better balance of the latter.



* Weight of empty shelf
** Traditional Bordeaux