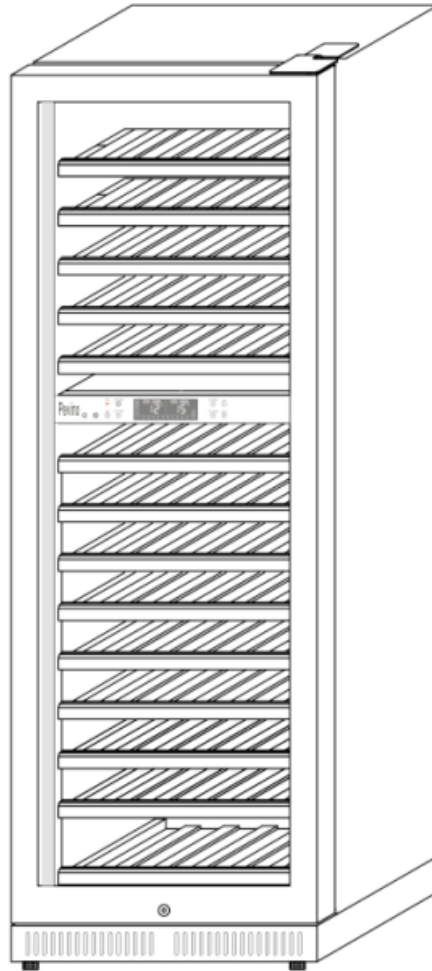


WINE COOLER

USER MANUAL



Model:

P168S

P168D

www.pevino.com

THANK YOU FOR PURCHASING PEVINO WINE COOLER. BEFORE USE, PLEASE READ AND FOLLOW ALL SAFETY RULES AND OPERATING INSTRUCTIONS.

WARNING

To prevent damaging the door gasket, make sure to have the door all the way opened when pulling shelves out of the rail compartment. The appliance must be positioned so that the plug is accessible. Release the electric cord. Move your cabinet to its final location. Do not move your cabinet while loaded with wine. You might distort the body. The wine cooler should be installed in a suitable place in order to avoid touching the compressor with the hand. If the supply cord is damaged, it must be replaced by manufacturer of its service agent or a similarly qualified person in order to avoid a hazard.

IMPORTANT SAFETY INSTRUCTIONS

⚡ WARNING ⚡

To reduce the risk of fire, electrical shock, or injury when using your appliance, follow these basic precautions:

Read all instructions before using the wine cooler.

• **DANGER or WARNING:**

Risk of child entrapment.

Child entrapment and suffocation are not problems of the past. Junked or abandoned appliances are still dangerous . . . even if they will “just sit in the garage a few days”.

Before you throw away your old wine cooler: Take off the door.

Leave the shelves in place so that children may not easily climb inside. Never allow children to operate, play with, or crawl inside the appliance. Never clean appliance parts with flammable fluids. The fume can create a fire hazard or explosion. Do not store or use gasoline or any other flammable vapors and liquids in the vicinity of this or any other appliance. The fume can create a fire hazard or explosion.

-Save these instructions-

➤ **Before using your wine cooler**

Remove the exterior and interior packing. • Before connecting the wine cooler to power source, let it stand upright for approximately 2 hours. This will reduce the possibility of a malfunction in cooling system from handling during transportation. • Clean the interior surface with lukewarm water by using a soft cloth. • When replacing the illuminating lamp, please select the lamp which comply with the rated power input of lamp according to the rating label. Shut off power supply before replacing the lamp. • When disposing your appliance, please choose an authorized disposal site.

Installation of your wine cooler

• Place your wine cooler on a floor / surface that is strong enough to support it when it is fully loaded. To level your wine cooler, adjust the leveling leg at the bottom of the wine cooler. • Locate the wine cooler away from direct sunlight and sources of heat (stove, heater, radiator, etc.). Direct sunlight may affect the acrylic coating and heat sources may increase electrical consumption. Extreme cold ambient temperatures may also cause the unit not to perform properly. • Avoid locating the unit in moist areas. • Plug the wine cooler into an exclusive, properly installed wall outlet. Any questions concerning power should be directed toward a certified electrician or an authorized products service center.

Attention

Store wine in sealed bottles. Do not overload the cabinet. Do not open the door unless necessary. Do not cover shelves with aluminum foil or any other shelf material which may

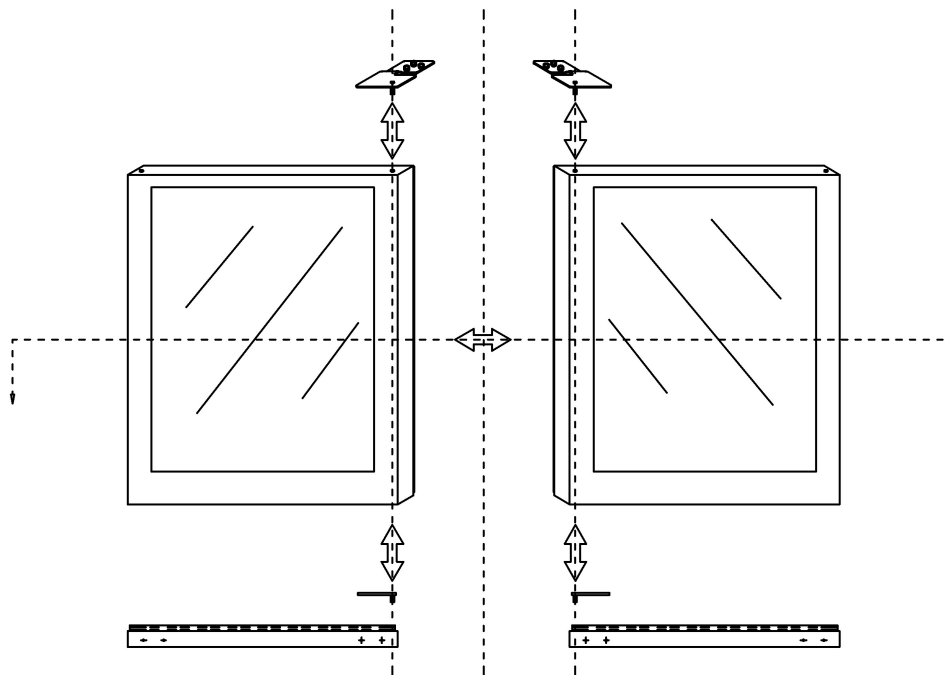
prevent air circulation. Should the wine cooler be stored without use for long periods it is suggested, after a careful cleaning, to leave the door ajar to allow air to circulate inside the cabinet in order to avoid possible formation of condensation, mold or odor. The Carbon filter should be cleaned / dried at least once a year.

Reversing the door swing of your appliance

This appliance can be reversed from either the left or right side of the door. The unit is delivered to you with the door opening from the left side.

Reversing door direction is shown as below diagram:

- (1) Take off screws on hinge cover on top of the cabinet and then separate the door from the cabinet.
- (2) Remove screws and hinge supporter beneath the cabinet, then reverse the door at an angle of 180° to sit it on the mounting hole of the pedestal, using the EXTRA bracket.
- (3) Hold the door in vertical position, put the hinge cover on top of the cabinet and fasten it with screws.



Adjustment of wine cabinet feet



Activated carbon filter

一、 appearance:



二、 function:

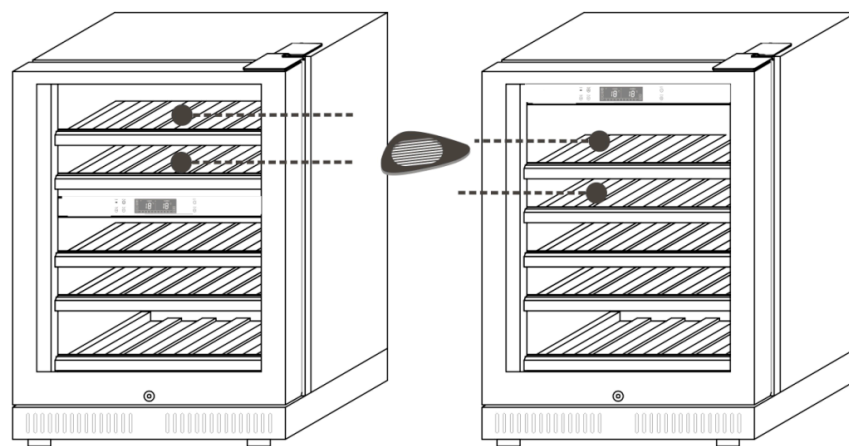
This item is intended for sterilizing and getting rid of odor inside the cabinet.

三、 how to maintenance:

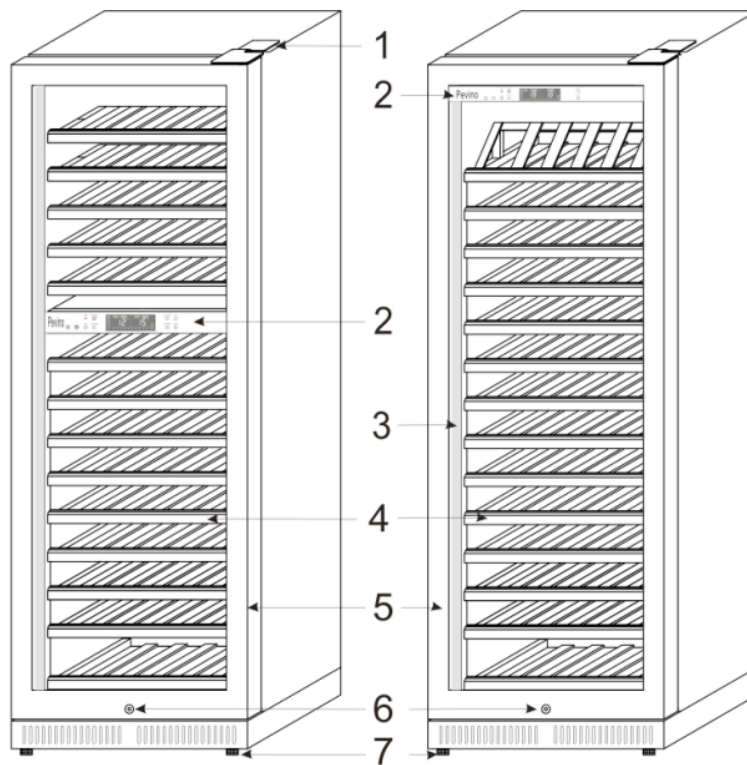
Take it out of the cabinet in every quarter and expose it to the sun for a few hours before putting it back. It can be used repeatedly.

四、 how to place it:

It can be put on any position between two shelves.



STRUCTURE AND FUNCTIONS



- 1 door hinge
- 2 LCD control panel
- 3 Led lighting
- 4 shelf for wine storage
- 5 door frame
- 6 safety lock
- 7 supporting feet

Operating instructions

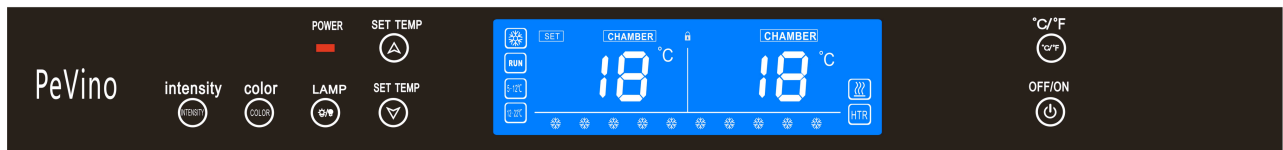
You're suggested to place the cabinet in the space with surrounding temperature ranging from 0-35 °C (32-95°F) , and the working conditions will be affected if the surrounding temperature goes beyond or lower than suggested temperature.

THE MOST SUITABLE TEMPERATURE INSIDE THE CABIENT

RED WINE 14.4-18.3°C (58-65°F)
DRY/WHITE WINE 8.9-13.9°C (48-57°F)
ROSE WINE 9.4-10.6°C (49-51°F)
SPARKLING WINE 4.4-8.3°C (40-47°F)

temp setting ◆

control panel for single temp setting



- POWER
- LAMP: switch for Led lighting
- SET TEMP
- °C/°F: Celsius/ Fahrenheit switch
- OFF/ON:
- Intensity: LED lighting control, press 2 seconds can turn off lighting, press the button to restore
- Color: change color of LED lighting

The left LCD chamber indicates the setting temp, ranging from 5°C~22°C (40°F-72°F) , when temperature is set between 5-12°or 12-22°, the indicator corresponding the chamber on the left side will flash. The digital tube on the right chamber indicates the actual temp inside the cabinet, ranging from 0~37°C(32°F-99°F)

Temp setting range for single zone wine cooler: 5°C~22°C(40°F-72°F)。

The user can re-set temp inside the cabinet based on actual requirement, after start working, the cabinet will keep on refrigerating till it reaches the set temp, and work around setting temp within range of $\pm 2^{\circ}$. Under the circumstances of power stop or cutting in the process of normal operation, the last setting figure can be automatically memorized by the cabinet.

Functional instructions for control panel:

Power: This button controls starting and stopping of the whole cooling system. (indicates the situation of power supply)

°C/°F this button can switch Fahrenheit to Celsius or vice versa, their temp indication are corresponding. When switching, the corresponding indicator on the right corner of digital tube will start, and user can also choose the procedure of memorizing Fahrenheit when starting operation.

Attention:

According to different habit of using the wine cooler among different countries or areas, users can switch temp setting at will, only need to press the button “°C/°F” for 3 seconds

▲/▼ (+/-) This button controls progressive increase or decrease of the temperature, when temp range is between 5-8°C (40-47°F), orange lighting will indicates on the below corresponding indicator, while the range between 9-14°C (48-57°F), white lighting will indicates on the below corresponding indicator

RUN When compressor is on work, the below corresponding LED indicator can only light up, the operation status of compressor can be judged from lighting/stopping of the indicator.

HTR This sign indicates status of thermal compensation of the wine cooler.

SET CHAMBER digital display of temp setting.

CHAMBER digital display of temp inside the cabinet.

Control requirement for cooling circulation system:


When cooling system inside the cabinet meet with requirement of temp setting, compressor will stop working. When temperature inside the cabinet rises up to the level which requires compressor to start, it'll enter the process of re-starting, ≥ 5 minutes is required each time for stopping of the compressor. If operating the button POWER to control cooling system of the whole cabinet, 5 minutes interval for delay protection is required to re-start the compressor.

Dual-zone control panel




- POWER:
- LAMP: switch for Led lighting
- UPPER CHAMBER: set temp on upper zone
- LOWER CHAMBER: set temp on single zone
- °C/°F: Celsius/Fahrenheit switch
- OFF/ON:
- Intensity: LED lighting control, press 2 seconds to turn off lighting, press the button to restore
- Color: change color of LED lighting

Dual-zone temp control system is characterized by dividing the cabinet into dual temp control compartment(upper chamber and lower chamber) through combination of circuit control system, sheet metal forming process and cooling system.

UPPER CHAMBER: 5-12°C(40-54°F) , 

UPPER CHAMBER: temp control ranges from 5-12°C (40-54°F) , 

LOWER CHAMBER: 12-22°C(54-72°F) 

LOWER CHAMBER temp control ranges from 12-22°C (54-72°F) 

After the wine cooler is plugged in, if temp is not set, the figure of temp will be marked

automatically as 5°C(40°F) for upper chamber and 12°C (54°F) for lower chamber. The last setting temp will be memorized automatically by the system in the process of normal operation in the event of power supply cutting or stopping.

SET (+/-) button for temp setting

When setting temp on upper chamber, if temp range is between 5-8°C (40-47°F) , the indicator below will be shown as orange, when the range between 9-12°C (48-54°F) , the indicator below will be shown as white.

When setting temp on lower chamber, if temp range is between 12-14°C(54-57°F) , the indicator below will be shown as white, when the range between 15-22°C (48-72°F) , the indicator below will be shown as red.

Temp setting for both upper and lower chamber is circulation type, setting can be stopped when temp reaches the target, the control system will have a judgment for 3 seconds, the corresponding digital tube will flash. If temp setting remains unchanged for 3 seconds, the control system will judge and confirmed the set temp, then returns to the indication of actual temp.

POWER or OFF/ON This button controls starting and stopping of the software system. (the indicator for POWER on control panel 3 indicates system in power)

°C/°F this button can switch Fahrenheit to Celsius or vice versa, their temp indication are corresponding. When switching, the corresponding indicator on the right corner of digital tube will start, and user can also choose the procedure of memorizing Fahrenheit when starting operation.

Attention:

According to different habit of using the wine cooler among different countries or areas, users can switch temp setting at will, only need to press the button “°C/°F”for 3 seconds

LIGHT (LAMP) This button can control starting and stopping of LED lighting.

RUN While the compressor is on working, the below LED can only flash, working status of

compressor can be judged from illuminating and putting out of the indicator. On control panel, when compressor is on working, the sign 'run' on the top left corner of blue screen will be illuminated.



When temp inside the cabinet is lower than the set temp, thermal compensation system of the wine cooler will start working, indicator on bottom right of the control panel will light up.

After set temp is locked, it will flash for 3 seconds, indicating the actual temp inside the cabinet. Afterwards, temp inside the cabinet will reach the set temp, fluctuating around $\pm 2.5^{\circ}\text{C}$ of set temp which is regarded as normal.

The button power controls running and stopping of the whole system of wine cooler, but every starting and stopping, the system won't start until 5 seconds after delay protection.

Self-detection:

When power is on for the whole cabinet by touching button 'power', mode of self-detection will start. In the process of detection, the figure on digital tube will be circularly lighted up, all the electrical ports will be put into power from which we can judge whether the whole system is running normally. Upon completion of detection after 10 seconds, normal mode of working will automatically start.

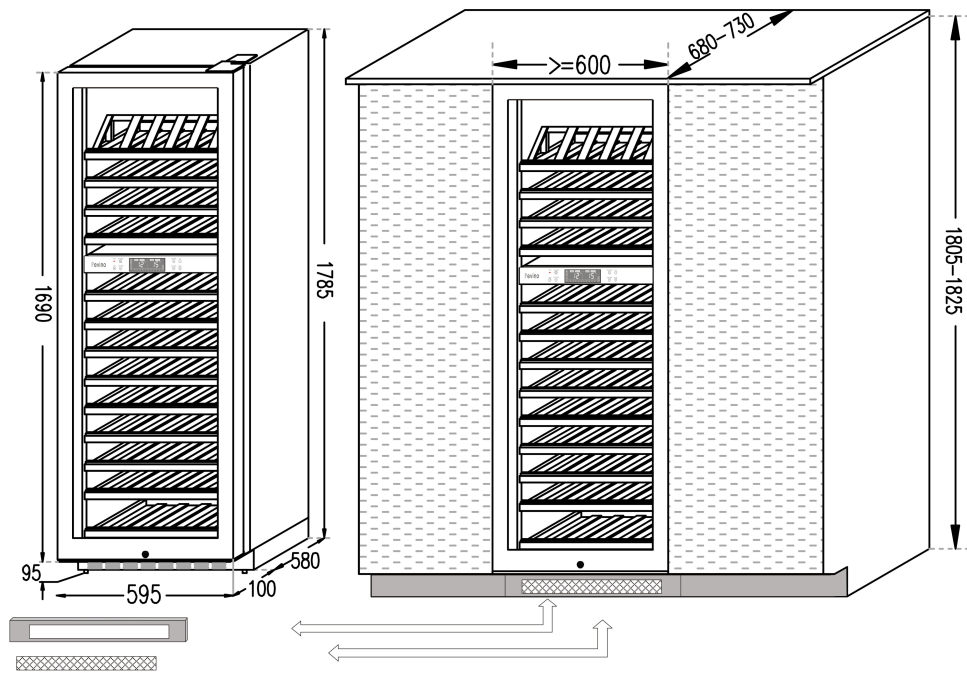
Alarm system:

When faults of cooling systems for all the models of wine coolers occur, temp inside the cabinet runs higher than $\geq 30^{\circ}\text{C}$ (86°F) for more than 2 hours, alarm system will work, the cooling system will be automatically shut off with the buzzer buzzing intermittently.

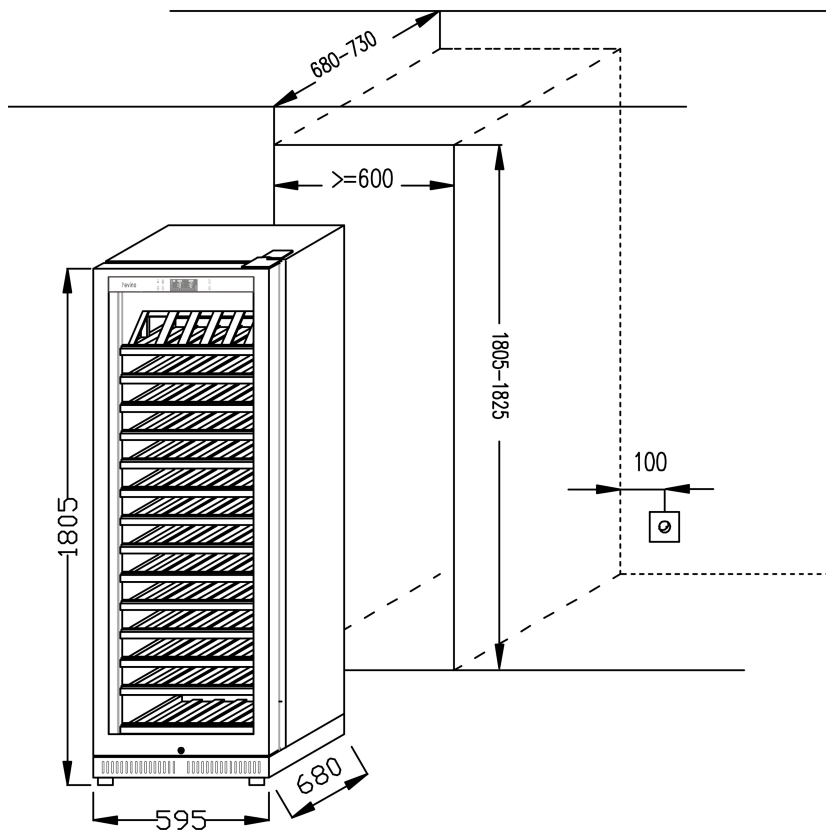
Embedded diagram:

Please follow the diagram as shown below if user wants to insert the wine cabinet into any solid structure.

◆ For wine cooler with recessed base



◆ For wine cooler with standard base



Remarks: when the wine cabinet is inserted into solid structure, supporting feet can be adjusted to meet with actual requirement. Solid structure should be wide enough so the door can be closed.

Installation instructions

Notes before installation.

- ◆Remove all the packing materials inside and outside the wine cooler.
- ◆The cabinet should be placed steadily in vertical position for at least two hours before power connection, thus reducing harm done to the cooling system in the process of handling and transportation so as to avoid fault occurrence.
- ◆To cleanse surface of the cabinet with soft cloth soaked in warm water.

Attention points for installation.

- ◆All these models are designed to be installed as free standing styles.
- ◆Please place the cabinet on the ground which can support full loading of wines, and adjust two supporting feet on the front of the cabinet to make them on the same level.
- ◆Please don't place your cabinet close to such heat radiating appliances as furnace, stove and radiator, these items will increase power consumption of the cabinet.
- ◆To avoid putting the cabinet in damp environment.
- ◆For any query regarding power supply, please consult with the authorized service center

cleansing and maintenance

EXTERIOR CLEANING

Please cleanse the outer shell and door sealing of your cabinet with soapy water before drying off with soft cloth, you're forbidden to cleanse the cabinet with concentrated detergent and scratching tools.

INTERIOR CLEANSING

Un-plug the plug before taking out all the wines from the cabinet, then cleanse them with water, and dry off them with soft cloth.

STANDBY TIME

For short term, specifically, within less than three weeks, you can keep the cabinet in working conditions. For long term, more than a few months, please unplug the plug. Please keep inside the cabinet clean so as to avoid generating odor and mildew. Please keep the door of cabinet slightly open and shut it off if necessary.

TIPS FOR ENERGY-SAVING

Please place the cabinet in the place with lowest temp inside the room, and try not to put it close to heat electric appliances and to avoid sunshine exposure.

instructions for minor problems

faults	causes
power unconnected	socket unconnected circuit closing or fuse burnt out
When temp inside the cabinet is not low enough	check up the set temp frequently open the door door not closed tightly improper sealing abnormal voltage
Lamp not illuminated	Not turn on the lighting socket unconnected circuit closing or fuse burnt out Lamp break down
vibrating	to check up if the cabinet is laid flat

door cannot be closed tightly	unsteady placing door improper installation sealing break down wooden shelf get too close to the door
odor inside the cabinet	Remove the articles sending off odor